



Unique range of products
VentOduct C - F
intended for offshore



TABLE OF CONTENTS

Page 4	Duct
Page 6	Bend 15° / 30°
Page 7	Bend 45° / 60°
Page 8	Bend 90°
Page 9	Endcap
Page 10	Wiremesh
Page 11	Muffe
Page 12	Nippel
Page 13	Push nippel
Page 14	Reducer - Eccentric
Page 15	Reducer - Centric
Page 16	Flange w/nippel
Page 17	T-Branch
Page 18	Support
Page 19	Inspection hatch
Page 20	Silencer 600 - 50/100
Page 21	Silencer 900 - 50/100
Page 22	Silencer 1200 - 50/100
Page 23	Balancing damper/Shut off damper
Page 24	VentO hatch Class F

Ducts

Function

Ducting is required to transport air to and from spaces being served by HVAC systems.

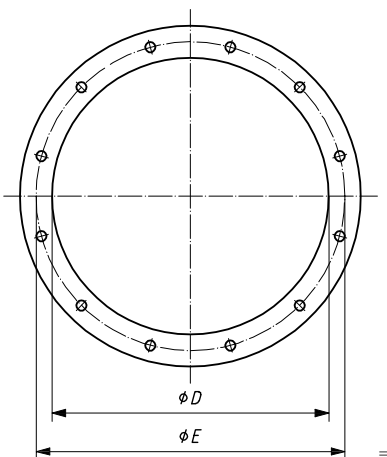
Functional requirements

The material of construction shall be suitable for the design life and operating environment, for which stainless steel, coated carbon steel and composites can be suitable.

Duct systems shall be constructed to a recognized standard such as EN 1505 [17] , EN 1506 [18] , EN 1507 [19] and EN 12237 [22] , and may be categorized according to the duct pressure class.

Exhaust systems serving mud tanks and shale shakers shall be suitable for the dirty atmosphere to which they are exposed. Facilities shall be provided that permit access for frequent cleaning of all system components, equipment and the complete ducting systems. Access platforms and/or walkways can be necessary.

Duct class	Material	Thickness or dimensions	Operating conditions
A	Stainless steel EN 10088 (all parts) ^[21] material No. 1.4404 or UNS S31603	3 mm	High-strength duct (plenum chambers) Duct exposed to weather and saliferous atmosphere Fire-rated duct
B	Stainless steel EN 10088 (all parts) ^[21] material No. 1.4401 or UNS S31600	EUROVENT 2/3 (circular) EUROVENT 2/4 (rectangular)	Internal duct in corrosive environments such as laboratories, battery rooms, paint stores, etc.
C	Stainless steel EN 10088 (all parts) ^[21] material No. 1.4401 or UNS S31600 EN 10088 (all parts) ^[21] material No. 1.4404 or UNS S31603	0,8 mm for Ø 80 mm to Ø 200 mm 1,0 mm for Ø 250 mm to Ø 315 mm 1,25 mm for Ø 400 mm to Ø 630 mm 1,5 mm for Ø 800 mm	Internal duct in production and utility areas Duct exposed to weather and saliferous atmosphere and/or mechanical strain
D	Carbon steel painted or hot-dipped galvanized	4 mm	High-strength duct Fire-rated duct
E	E Pre-galvanized sheet steel	EUROVENT 2/3 EUROVENT 2/4	Internal duct in controlled environments such as LQs
F	Stainless steel EN 10088 (all parts) ^[21] material No. 1.4401 or UNS S31600 EN 10088 (all parts) ^[21] material No. 1.4404 or UNS S31603	0,8 mm for Ø 80 mm to Ø 200 mm 1,0 mm for Ø 250 mm to Ø 315 mm 1,25 mm for Ø 400 mm to Ø 630 mm 1,5 mm for Ø 800 mm	Fire-rated duct (Class C with fire-rated expanding joints/gaskets approved by certifying authority)



Standard data for rectangular flanges a,b

Nominal duct longest side W mm	Back mark mm	Flat bar or angle iron mm	Bolt hole size	Bolt size
u 350	20	40 x 4 40 x 40 x 4	10	M8
> 350, u 1000	30	50 x 5 50 x 50 x 5	12	M10
> 1000	40	80 x 8 80 x 80 x 8	14	M12

- a) Flanges shall be continuously welded on both sides.
- b) Flanges shall be made from the same material as the duct

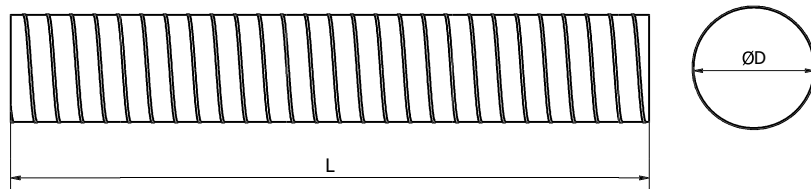
Duct:

Part information			
Dim	L (mm)	Thickness (mm)	Kg
100	3000	0,80	7,80
125	3000	0,80	9,60
160	3000	0,80	11,40
200	3000	0,80	18,30
250	3000	1,00	24,00
315	3000	1,00	29,10
400	3000	1,25	45,00
500	3000	1,25	60,00
630	3000	1,25	72,30
800	3000	1,50	111,60
1000	3000	1,50	140,40
1250	3000	1,50	176,40
1500	3000	1,50	210,6

Duct C/F



DIMENSIONS



DESCRIPTION

ORDERING

Product code

Type VentO - D - C - F

Dim Ø100 - 1500

Bend 15°:

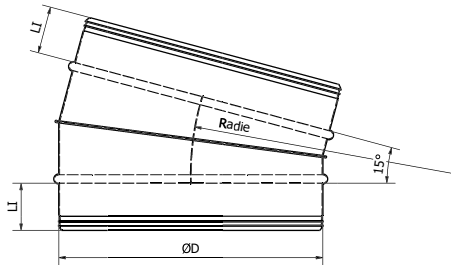
Part information

Dim	Ll (mm)	Radie (mm)	Thickness (mm)	Kg
100	60	100	0,80	0,33
125	60	125	0,80	0,45
160	60	160	0,80	0,61
200	60	200	0,80	0,80
250	60	250	1,00	1,40
315	60	315	1,00	2,00
400	70	400	1,25	3,70
500	70	500	1,25	5,00
630	80	630	1,25	7,70
800	80	800	1,50	13,30
1000	100	1000	1,50	20,00
1250	100	1250	1,50	28,40
1500	100	1500	1,50	37,70

Bend 15°



DIMENSIONS



ORDERING

Product code

Type VentO - B - 15° - C - FDim Ø100 - 1500

Bend 30°:

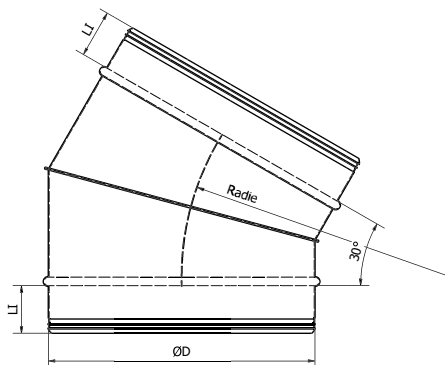
Part information

Dim	L (mm)	Radie (mm)	Thickness (mm)	Kg
100	60	100	0,80	0,40
125	60	125	0,80	0,53
160	60	160	0,80	0,75
200	60	200	0,80	1,00
250	60	250	1,00	1,82
315	60	315	1,00	2,70
400	70	400	1,250	4,00
500	70	500	1,25	7,20
630	80	630	1,25	11,00
800	80	800	1,50	19,80
1000	100	1000	1,50	30,30
1250	100	1250	1,50	44,50
1500	100	1500	1,50	60,90

Bend 30°



DIMENSIONS



ORDERING

Product code

Type VentO - B - 30° - C - FDim Ø100 - 1500

Bend 45°:

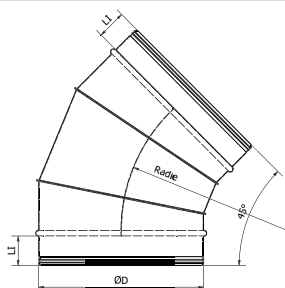
Part information

Dim	LI (mm)	Radie (mm)	Thickness (mm)	Kg
100	60	100	0,80	0,45
125	60	125	0,80	0,65
160	60	160	0,80	0,93
200	60	200	0,80	1,29
250	60	250	1,00	2,37
315	60	315	1,00	3,54
400	70	400	1,25	6,66
500	70	500	1,25	9,60
630	80	630	1,25	14,77
800	80	800	1,50	27,00
1000	100	1000	1,50	41,20
1250	100	1250	1,50	61,30
1500	100	1500	1,50	84,70

Bend 45°



DIMENSIONS



ORDERING

Product code

Type VentO - B - 45° - C - FDim Ø100 - 1500

Bend 60°:

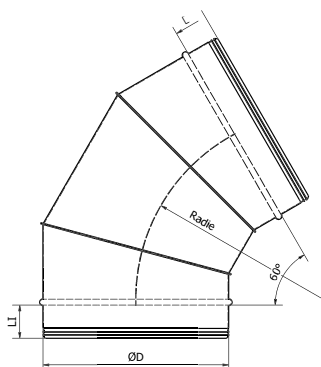
Part information

Dim	L (mm)	Radie (mm)	Thickness (mm)	Kg
100	60	100	0,80	0,52
125	60	125	0,80	0,74
160	60	160	0,80	1,00
200	60	200	0,80	1,50
250	60	250	1,00	2,80
315	60	315	1,00	4,20
400	70	400	1,25	8,00
500	70	500	1,25	11,70
630	80	630	1,25	18,10
800	80	800	1,50	33,60
1000	100	1000	1,50	51,80
1250	100	1250	1,50	77,60
1500	100	1500	1,50	108,30

Bend 60°



DIMENSIONS



ORDERING

Product code

Type VentO - B - 60° - C - FDim Ø100 - 1500

Bend 90°:

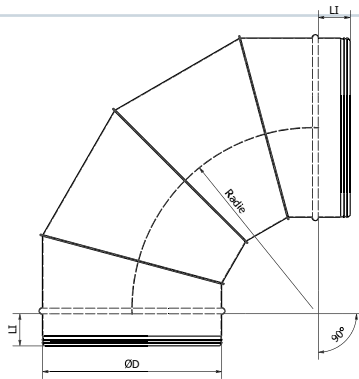
Part information

Dim	Ll (mm)	Radie (mm)	Thickness (mm)	Kg
100	60	100	0,80	0,60
125	60	125	0,80	0,95
160	60	160	0,80	1,39
200	60	200	0,80	1,99
250	60	250	1,00	3,79
315	60	315	1,00	5,70
400	70	400	1,25	10,90
500	70	500	1,25	16,30
630	80	630	1,25	25,30
800	80	800	1,50	47,40
1000	100	1000	1,50	71,70
1250	100	1250	1,50	110,80
1500	100	1500	1,50	155,60

Bend 90°



DIMENSIONS



ORDERING

Product code

Type VentO - B - 90° - C - FDim Ø100 - 1500

Endcap:

Part information

Dim	LI (mm)	Thickness (mm)	Kg
100	60	0,80	0,20
125	60	0,80	0,30
160	60	0,80	0,40
200	60	0,80	0,52
250	60	1,00	0,90
315	60	1,00	1,30
400	70	1,25	2,50
500	70	1,25	3,40
630	80	1,25	5,20
800	80	1,50	9,50
1000	100	1,50	14,50
1250	100	1,50	21,20
1500	100	1,50	29,00

Endcap



DIMENSIONS



ORDERING

Product code

Type VentO - E - C - F

Dim Ø100 - 1500

Wiremesh

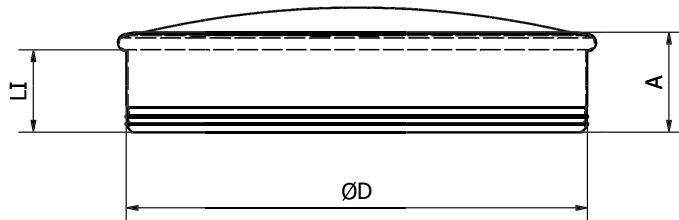
Part information

Dim	Ll (mm)	Wiremesh (mm)	Thickness (mm)	Kg
100	60	10x10x2	0,80	0,15
125	60	10x10x2	0,80	0,20
160	60	10x10x2	0,80	0,25
200	60	10x10x2	0,80	0,30
250	60	10x10x2	1,00	0,5
315	60	25x25x2,5	1,00	0,63
400	70	25x25x2,5	1,25	1,13
500	70	25x25x2,5	1,25	1,70
630	80	25x25x2,5	1,25	2,00
800	80	25x25x2,5	1,50	3,20
1000	100	25x25x2,5	1,50	4,70
1250	100	25x25x2,5	1,50	5,90
1500	100	25x25x2,5	1,50	6,50

Wiremesh



DIMENSIONS



ORDERING

Product code

Type VentO - W - C - F

Dim Ø100 - 1500

Muffe:

Part information

Dim	L (mm)	Radie (mm)	Thickness (mm)	Kg
100	60	100	0,80	0,28
125	60	125	0,80	0,35
160	60	160	0,80	0,45
200	60	200	0,80	0,56
250	60	250	1,00	0,88
315	60	315	1,00	1,10
400	70	400	1,25	2,00
500	70	500	1,25	2,50
630	80	630	1,25	3,60
800	80	800	1,50	5,50
1000	100	1000	1,50	8,30
1250	100	1250	1,50	10,50
1500	100	1500	1,50	12,60

Muffe



DIMENSIONS



ORDERING

Product code

Type VentO - M - C - FDim Ø100 - 1500

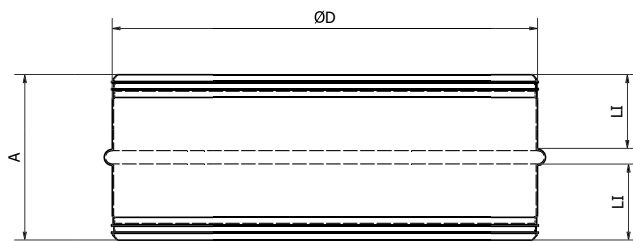
Nippel:

Part information			
Dim	LI (mm)	Thickness (mm)	Kg
100	60	0,80	0,28
125	60	0,80	0,35
160	60	0,80	0,45
200	60	0,80	0,56
250	60	1,00	0,88
315	60	1,00	1,10
400	70	1,25	2,00
500	70	1,25	2,50
630	80	1,25	3,60
800	80	1,50	5,50
1000	100	1,50	8,30
1250	100	1,50	10,50
1500	100	1,50	12,60

Nippel



DIMENSIONS



ORDERING

Product code

Type VentO - N - C - F

Dim Ø100 - 1500

Push nippel:

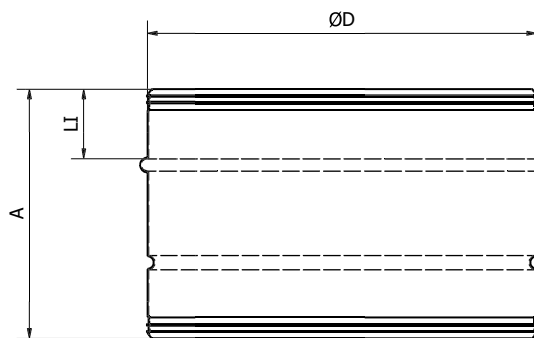
Part information

Dim	L (mm)	Radie (mm)	Thickness (mm)	Kg
100	60	100	0,80	0,41
125	60	125	0,80	0,53
160	60	160	0,80	0,68
200	60	200	0,80	0,89
250	60	250	1,00	1,39
315	60	315	1,00	1,96
400	70	400	1,25	3,20
500	70	500	1,25	4,00
630	80	630	1,25	5,30
800	80	800	1,50	8,00
1000	100	1000	1,50	10,80

Push nippel



DIMENSIONS



ORDERING

Product code

Type VentO - PN - C - F

Dim Ø100 - 1500

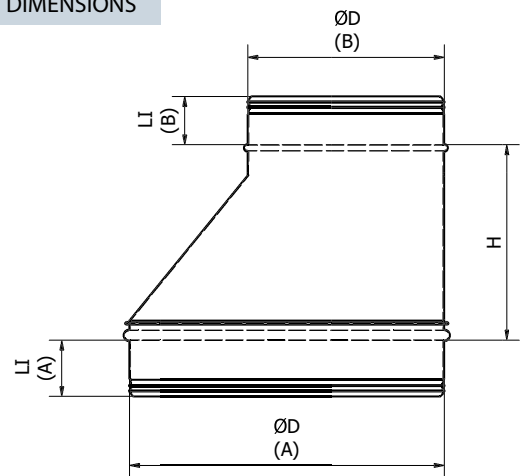
Reducer - Eccentric:

Part information						
Dim (A)	Dim (B)	H (mm)	LI (A)	LI (B)	Thickness (mm)	Kg
125	100	210	60	60	0,8	0,70
160	100	210	60	60	0,8	0,90
160	125	210	60	60	0,8	0,98
200	100	210	60	60	0,8	1,10
200	125	210	60	60	0,8	1,20
200	160	210	60	60	0,8	1,30
250	100	210	60	60	1,0	1,58
250	125	250	60	60	1,0	1,84
250	160	250	60	60	1,0	1,99
250	200	250	60	60	1,0	2,16
315	125	310	60	60	1,0	2,54
315	160	310	60	60	1,0	2,7
315	200	250	60	60	1,0	2,52
315	250	250	60	60	1,0	2,72
400	160	310	70	60	1,25	4,26
400	200	310	70	60	1,25	4,48
400	250	250	70	60	1,25	4,16
400	315	250	70	60	1,25	4,45
500	200	390	70	60	1,25	6,27
500	250	390	70	60	1,25	6,59
500	315	310	70	60	1,25	6,00
500	400	250	80	70	1,25	5,75
630	250	480	80	60	1,25	9,66
630	315	390	80	60	1,25	8,90
630	400	320	80	70	1,25	8,36
630	500	260	80	70	1,25	7,70
800	400	390	80	70	1,5	14,90
800	500	390	80	70	1,5	14,72
800	630	320	80	80	1,5	13,90
1000	500	480	100	70	1,5	21,00
1000	630	480	100	80	1,5	22,30
1000	800	320	100	80	1,5	18,00
1250	630	530	100	80	1,5	29,54
1250	800	530	100	80	1,5	30,48
1250	1000	390	100	100	1,5	26,54
1500	800	530	100	80	1,5	39,77
1500	1000	530	100	100	1,5	37,7
1500	1250	390	100	100	1,5	32,43

Reducer



DIMENSIONS



ORDERING

Product code

Type VentO - RE - C - F

Dim Ø100 - 1500

Reducer - Centric:

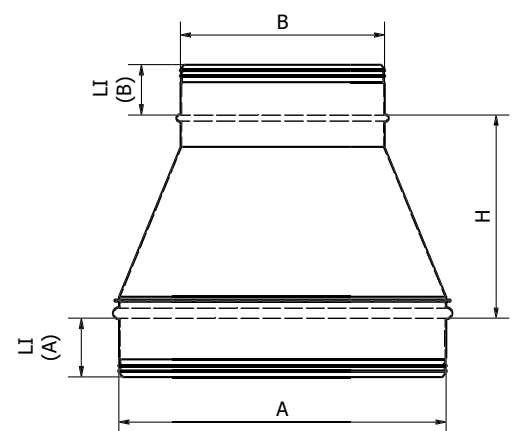
Part information

Dim (A)	Dim (B)	H (mm)	LI (A)	LI (B)	Thickness (mm)	Kg
125	100	210	60	60	0,80	0,70
160	100	210	60	60	0,80	0,90
160	125	210	60	60	0,80	0,98
200	100	210	60	60	0,80	1,10
200	125	210	60	60	0,80	1,20
200	160	210	60	60	0,80	1,30
250	100	210	60	60	1,00	1,58
250	125	250	60	60	1,00	1,84
250	160	250	60	60	1,00	1,99
250	200	250	60	60	1,00	2,16
315	125	310	60	60	1,00	2,54
315	160	310	60	60	1,00	2,70
315	200	250	60	60	1,00	2,52
315	250	250	60	60	1,00	2,72
400	160	310	70	60	1,25	4,26
400	200	310	70	60	1,25	4,48
400	250	250	70	60	1,25	4,16
400	315	250	70	60	1,25	4,45
500	200	390	70	60	1,25	6,27
500	250	390	70	60	1,25	6,59
500	315	310	70	60	1,25	6,00
500	400	250	80	70	1,25	5,75
630	250	480	80	60	1,25	9,66
630	315	390	80	60	1,25	8,90
630	400	320	80	70	1,25	8,36
630	500	260	80	70	1,25	7,70
800	400	390	80	70	1,50	14,90
800	500	390	80	70	1,50	14,72
800	630	320	80	80	1,50	13,90
1000	500	480	100	70	1,50	21,00
1000	630	480	100	80	1,50	22,3
1000	800	320	100	80	1,50	18,00
1250	630	530	100	80	1,50	29,54
1250	800	530	100	80	1,50	30,48
1250	1000	390	100	100	1,50	26,54
1500	800	530	100	80	1,50	39,77
1500	1000	530	100	100	1,50	37,70
1500	1250	390	100	100	1,50	32,43

Reducer



DIMENSIONS



ORDERING

Product code

Type VentO - RS - C - FDim Ø100 - 1500

Flange w/nippel:

Part information

Dim	LI (mm)	LA (mm)	Thickness (mm)	Kg
100	60	100	0,80	0,75
125	60	100	0,80	0,92
160	60	100	0,80	1,13
200	60	100	0,80	1,37
250	60	100	1,00	1,73
315	60	100	1,00	2,24
400	70	110	1,25	4,23
500	70	110	1,25	5,19
630	80	130	1,25	6,89
800	80	130	1,50	9,32
1000	100	140	1,50	11,94
1250	100	140	1,50	28,24
1500	100	140	1,50	36,0

Flange w/nippel



DIMENSIONS



ORDERING

Product code

Type VentO - FL - C - F

Dim Ø100 - 1500

T-Branch:

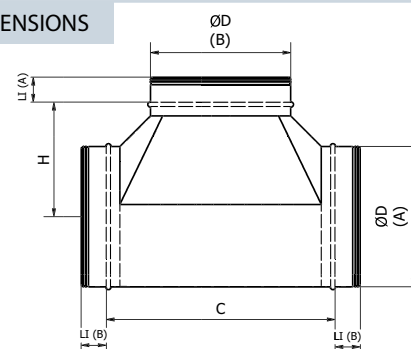
Part information

Dim (A)	Dim (B)	C (mm)	H (mm)	LI A (mm)	LI B (mm)	Thickness (mm)	Kg
125	125	337	171	60	60	0,80	1,58
160	125	337	186	60	60	0,80	1,9
160	160	372	186	60	60	0,80	2,15
200	125	340	207	60	60	0,80	2,31
200	160	375	207	60	60	0,80	2,54
200	200	415	207	60	60	0,80	2,8
250	125	340	232	60	60	1,00	3,42
250	160	375	232	60	60	1,00	3,74
250	200	415	232	60	60	1,00	4,11
250	250	465	232	60	60	1,00	4,77
315	125	370	282	60	60	1,00	4,57
315	160	405	282	60	60	1,00	4,84
315	200	445	282	60	60	1,00	5,47
315	250	495	282	60	60	1,00	6,11
315	315	560	277	60	60	1,00	6,87
400	160	412	329	70	60	1,25	7,7
400	200	452	329	70	60	1,25	8,42
400	250	502	329	70	60	1,25	9,44
400	315	567	324	70	60	1,25	10,5
400	400	652	326	70	70	1,25	12,2
500	200	494	400	70	60	1,25	11,29
500	250	544	400	70	60	1,25	12,5
500	315	609	395	70	60	1,25	13,96
500	400	686	399	70	70	1,25	15,66
500	500	796	399	70	70	1,25	18,7
630	250	560	466	80	60	1,25	16,17
630	315	625	461	80	60	1,25	17,26
630	400	710	463	80	70	1,25	19,8
630	500	810	463	80	70	1,25	22,5
630	630	940	470	80	80	1,25	26,44
800	315	665	566	80	60	1,50	27,6
800	400	750	568	80	70	1,50	30,0
800	500	850	568	80	70	1,50	34,4
800	630	980	575	80	80	1,50	40,3
800	800	1150	575	80	80	1,50	45,38
1000	400	788	698	100	70	1,50	40,5
1000	500	888	698	100	70	1,50	45,7
1000	630	1018	705	100	80	1,50	52,66
1000	800	1188	705	100	80	1,50	60,18
1000	1000	1388	694	100	100	1,50	68,32
1250	630	1018	830	100	80	1,50	64,35
1250	800	1188	830	100	80	1,50	73,86
1250	1000	1388	819	100	100	1,50	82,94
1250	1250	1638	819	100	100	1,50	98,66
1500	630	958	914	100	80	1,50	72,3
1500	800	1128	914	100	80	1,50	82,46
1500	1000	1328	914	100	100	1,50	96,5
1500	1250	1578	914	100	100	1,50	110,5
1500	1500	1828	914	100	100	1,50	121,3

T-Branch



DIMENSIONS



ORDERING

Product code

Type VentO - T - C - F

Dim $\varnothing 100 - 1500$

Support - Type B:

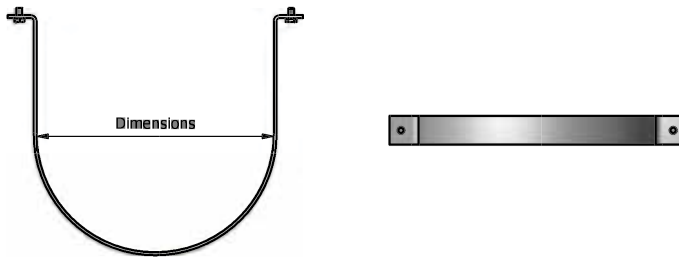
Part information

Dim	Flar bar	Bolt	Kg
131	40x4 mm-316 L	Ø 10	0,532
168	40x4 mm-316 L	Ø 10	0,643
206	40x4 mm-316 L	Ø 10	0,773
256	40x4 mm-316 L	Ø 10	0,934
324	40x4 mm-316 L	Ø 10	1,145
406	50x5 mm-316 L	Ø 10	2,210
506	50x5 mm-316 L	Ø 10	2,715
636	50x5 mm-316 L	Ø 10	3,369
806	50x5 mm-316 L	Ø 10	4,225
1006	50x5 mm-316 L	Ø 10	5,233
1256	80x8 mm-316 L	Ø 12	17,199
1506	80x8 mm-316 L	Ø 12	20,476

Support



DIMENSIONS



ORDERING

Product code

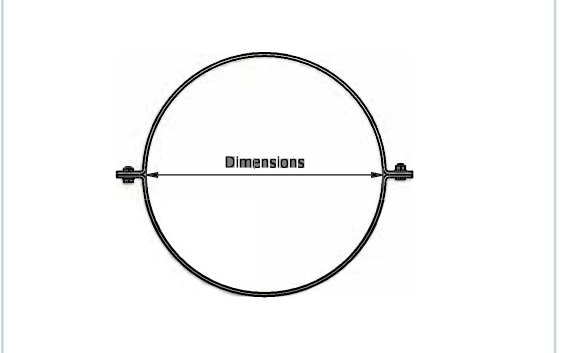
Type VentO - S - B - C - FDim Ø100 - 1500

Support - Type C:

Part information

Dim	Flar bar	Bolt	Kg
131	40x4 mm-316 L	Ø 10	0,619
168	40x4 mm-316 L	Ø 10	0,759
206	40x4 mm-316 L	Ø 10	9,170
256	40x4 mm-316 L	Ø 10	1,115
324	40x4 mm-316 L	Ø 10	1,372
406	50x5 mm-316 L	Ø 10	2,657
506	50x5 mm-316 L	Ø 10	3,273
636	50x5 mm-316 L	Ø 10	4,073
806	50x5 mm-316 L	Ø 10	5,119
1006	50x5 mm-316 L	Ø 10	6,350
1256	80x8 mm-316 L	Ø 12	20,833
1506	80x8 mm-316 L	Ø 12	24,837

Support



DIMENSIONS



ORDERING

Product code

Type VentO - S - C - FDim Ø100 - 1500

Inspection hatch:

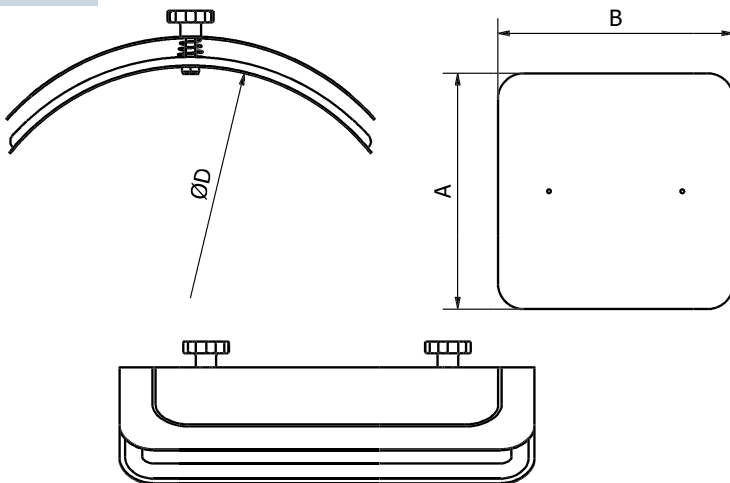
Part information

Dim	A (mm)	B (mm)	Thickness (mm)	Kg
100	210	160	0,80	0,40
125	210	160	0,80	0,40
160	260	210	0,80	0,40
200	260	210	0,80	0,40
250	260	210	1,00	0,60
315	360	360	1,00	0,60
400	360	360	1,25	2,00
500	360	360	1,25	2,00
630	360	360	1,25	2,00
800	460	460	1,50	5,00
1000	460	460	1,50	5,00
1250	460	460	1,50	5,00
1500	460	460	1,50	5,00

Inspection hatch



DIMENSIONS



ORDERING

Product code

Type VentO - ID - C - F

Dim Ø100 - 1500

Silencer 600-50:

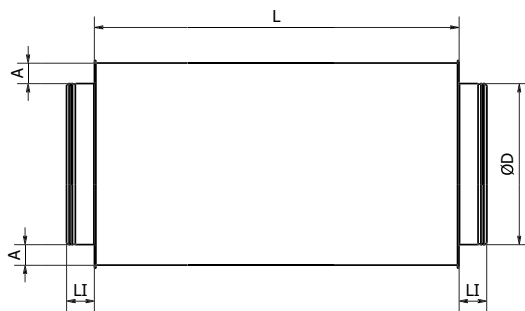
Part information

Dim	L (mm)	LI (mm)	A (mm)	Thickness (mm)	Kg
100	600	60	50	0,80	4,50
125	600	60	50	0,80	5,20
160	600	60	50	0,80	7,10
200	600	60	50	0,80	8,40
250	600	60	50	1,00	10,20
315	600	60	50	1,00	14,00
400	600	70	50	1,25	17,70
500	600	70	50	1,25	21,60
630	600	80	50	1,25	27,10
800	600	80	50	1,50	38,00
1000	600	100	50	1,50	48,40
1250	600	100	50	1,50	59,90
1500	600	100	50	1,50	71,30

Silencer



DIMENSIONS



ORDERING

Product code

Type VentO - S - 600 - 50 - C - FDim Ø100 - 1500

Silencer 600-100:

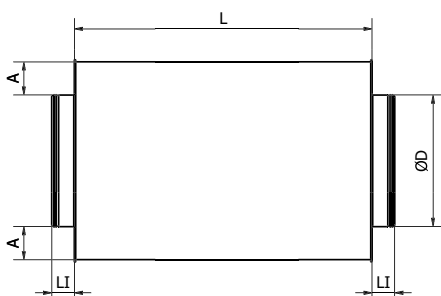
Part information

Dim	L (mm)	LI (mm)	A (mm)	Thickness (mm)	Kg
100	600	60	100	0,80	8,00
125	600	60	100	0,80	9,00
160	600	60	100	0,80	10,30
200	600	60	100	0,80	13,40
250	600	60	100	1,00	15,70
315	600	60	100	1,00	18,50
400	600	70	100	1,25	22,70
500	600	70	100	1,25	27,10
630	600	80	100	1,25	36,50
800	600	80	100	1,50	45,60
1000	600	100	100	1,50	57,10
1250	600	100	100	1,50	70,00
1500	600	100	100	1,50	82,90

Silencer



DIMENSIONS



ORDERING

Product code

Type VentO - S - 600 - 100 - C - FDim Ø100 - 1500

Silencer 900-50:

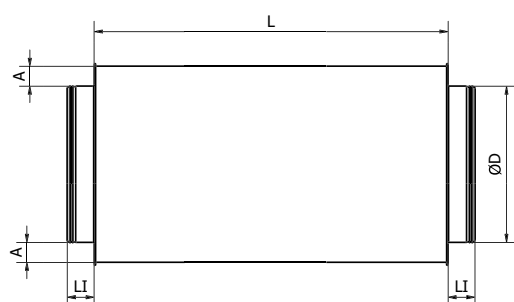
Part information

Dim	L (mm)	LI (mm)	A (mm)	Thickness (mm)	Kg
100	900	60	50	0,80	6,50
125	900	60	50	0,80	7,50
160	900	60	50	0,80	10,20
200	900	60	50	0,80	12,00
250	900	60	50	1,00	14,60
315	900	60	50	1,00	20,00
400	900	70	50	1,25	25,20
500	900	70	50	1,25	30,70
630	900	80	50	1,25	38,20
800	900	80	50	1,50	53,60
1000	900	100	50	1,50	67,50
1250	900	100	50	1,50	83,50
1500	900	100	50	1,50	99,40

Silencer



DIMENSIONS



ORDERING

Product code

Type VentO - S - 900 - 50 - C - FDim Ø100 - 1500

Silencer 900-100:

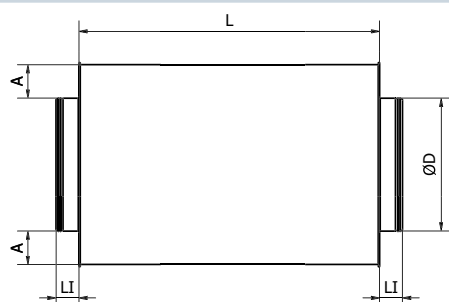
Part information

Dim	L (mm)	LI (mm)	A (mm)	Thickness (mm)	Kg
100	900	60	100	0,80	11,40
125	900	60	100	0,80	12,70
160	900	60	100	0,80	14,70
200	900	60	100	0,80	19,10
250	900	60	100	1,00	22,30
315	900	60	100	1,00	26,20
400	900	70	100	1,25	31,90
500	900	70	100	1,25	38,10
630	900	80	100	1,25	51,30
800	900	80	100	1,50	63,80
1000	900	100	100	1,50	79,20
1250	900	100	100	1,50	96,90
1500	900	100	100	1,50	114,70

Silencer



DIMENSIONS



ORDERING

Product code

Type VentO - S - 900 - 100 - C - FDim Ø100 - 1500

Silencer 1200-50:

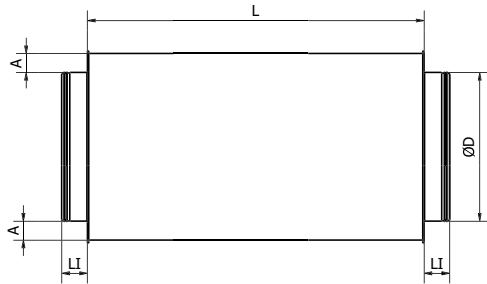
Part information

Dim	L (mm)	LI (mm)	A (mm)	Thickness (mm)	Kg
100	1200	60	50	0,80	8,40
125	1200	60	50	0,80	9,80
160	1200	60	50	0,80	13,30
200	1200	60	50	0,80	15,80
250	1200	60	50	1,00	19,00
315	1200	60	50	1,00	26,30
400	1200	70	50	1,25	32,80
500	1200	70	50	1,25	40,00
630	1200	80	50	1,25	49,30
800	1200	80	50	1,50	69,10
1000	1200	100	50	1,50	86,00
1250	1200	100	50	1,50	107,10
1500	1200	100	50	1,50	127,50

Silencer



DIMENSIONS



ORDERING

Product code

Type VentO - S - 1200 - 50 - C - F

Dim _____

Silencer 1200-100:

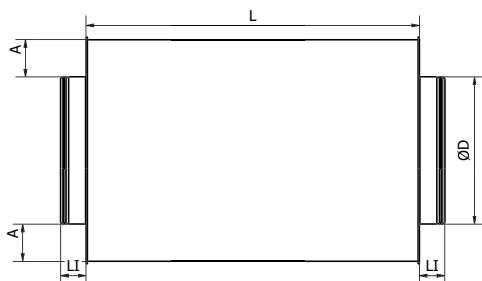
Part information

Dim	L (mm)	LI (mm)	A (mm)	Thickness (mm)	Kg
100	1200	60	100	0,80	14,80
125	1200	60	100	0,80	16,50
160	1200	60	100	0,80	19,00
200	1200	60	100	0,80	24,80
250	1200	60	100	1,00	28,80
315	1200	60	100	1,00	33,90
400	1200	70	100	1,25	41,20
500	1200	70	100	1,25	34,70
630	1200	80	100	1,25	66,20
800	1200	80	100	1,50	81,90
1000	1200	100	100	1,50	101,20
1250	1200	100	100	1,50	123,80
1500	1200	100	100	1,50	146,40

Silencer



DIMENSIONS



ORDERING

Product code

Type VentO - S - 1200 - 100 - C - FDim Ø100 - 1500

Balancing damper:

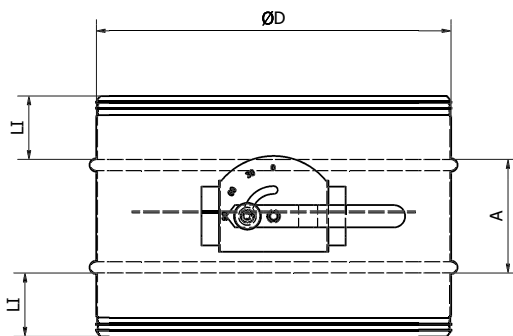
Part information

Dim	A (mm)	LI (mm)	Thickness (mm)	Kg
100	60	90	0,80	0,50
125	60	90	0,80	0,70
160	60	90	0,80	0,90
200	60	90	0,80	1,20
250	60	90	1,00	1,50
315	60	90	1,00	1,80
400	70	130	1,25	3,20
500	70	130	1,25	4,70
630	80	130	1,25	6,00

Balancing Damper



DIMENSIONS



ORDERING

Product code

Type VentO - BD - C - F

Dim Ø100 - 1500

Balancing damper - R:

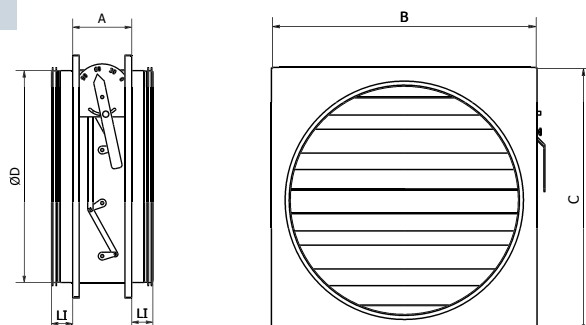
Part information

Dim	A (mm)	B (mm)	C (mm)	LI (mm)	Thickness (mm)	Kg
250	220	330	330	60	1,00	6,60
315	220	395	395	60	1,00	8,80
400	220	500	500	70	1,25	13,50
500	220	600	600	70	1,25	20,10
630	220	730	730	80	1,25	25,80
800	220	900	900	80	1,50	38,90
1000	220	1100	1100	100	1,50	42,90
1250	220	1410	1410	100	1,50	77,60
1500	220	1660	1660	100	1,50	103,60

Balancing Damper



DIMENSIONS



ORDERING

Product code

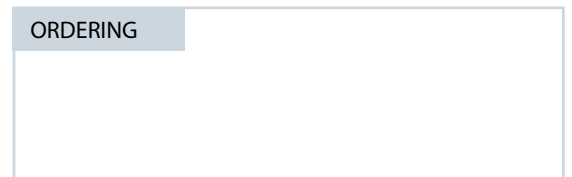
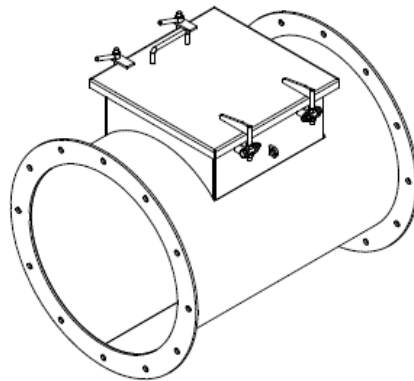
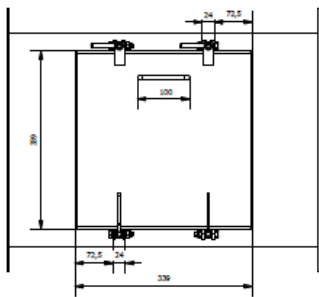
Type VentO - BD - R - C - F

Dim Ø100 - 1500

Takst: VentOhatch klasse F
Inspection hatch approved for class F A0.

Part information

Dim	LI (mm)	Thickness (mm)
100	600	3
125	600	3
200	600	3
250	600	3
315	600	3
400	600	3
500	600	3
630	600	3
800	600	3
1200	600	3
1500	600	3

**ORDERING****DIMENSIONS**



We can also provide air technical equipment, intake and exhaust in 316L offshore standard.

Send request to:

Ventistål, Marine Division

Ventistål Bergen, Sandbrekketoppen 30, 5224 Nesttun, Norway

Phone: +47 970 87 100 | Mail: bergen@ventistal.no

Ventistål Haugesund, Raglamyrveien 19, 5536 Haugesund, Norway

Phone: +47 992 00 900 | Mail: haugesund@ventistal.no

Ventistål Stavanger, Brannstasjonsveien 25, 4312 Sandnes, Norway

Phone +47 516 04 010 | Mail: stavanger@ventistal.no

Ventistål Vinterbro (AirJet) Bilittveien 3, 1407 Vinterbro, Norway

Phone: +47 64 96 28 80 | Mail: vinterbro@ventistal.no

Ventistål Ålesund, Breivik Industrivei 41, 6018 Ålesund, Norway

Phone +47 70 17 91 50 | Mail: alesund@ventistal.no